

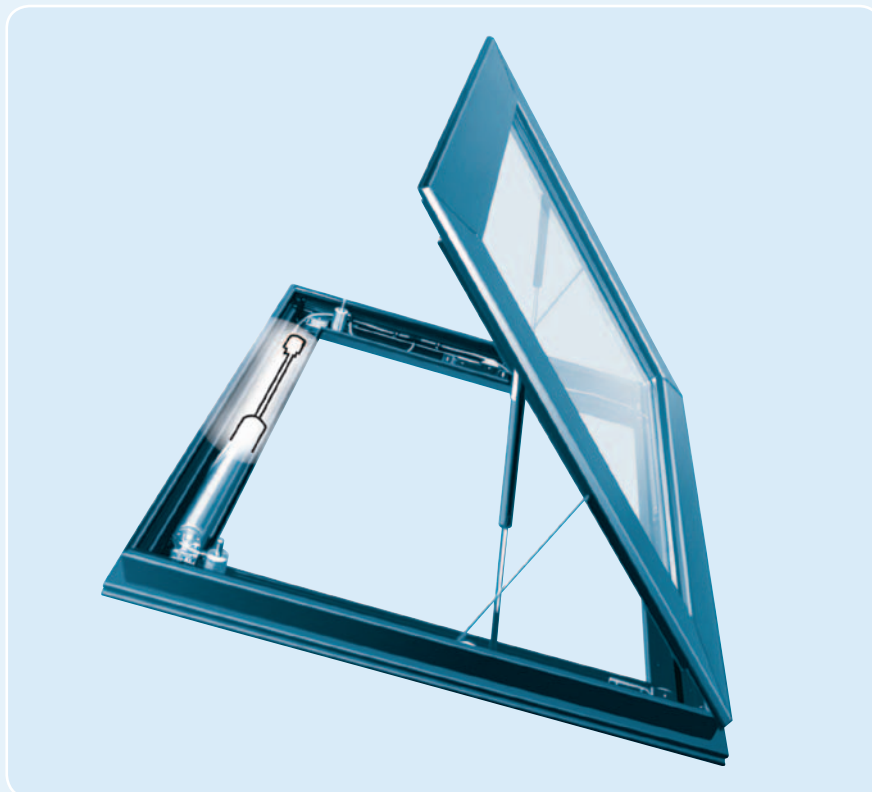


Brakel® Luma



Stylish ventlight for roof applications with concealed controls

The Luma aesthetic (fire) ventilation window is suitable for roof applications in which case both the internal and external appearance play an important role. The Luma has a small mounting height and in its closed position the controls are completely embedded in the frame. The Luma has thermally insulated profile sections. Applications: atria, shopping centres, train stations and airports.



Designs

The Luma is suitable for applications in roofs, with a mounting angle of 10-90°. The opening angle of the Luma is a maximum of 90° in relation to the base structure.

The structure consists of completely thermally insulated aluminium profile sections. The design ensures that the external appearance has also been perfectly finished in detail. The frame is sealed with EPDM rubbers.

The structure is completely thermally insulated, ensuring a high insulation value for the window.

Options

The Luma can be supplied both untreated, anodised or in any RAL colour you require. The following designs are possible in the ventlight: single-walled aluminium, double-walled aluminium insulated, laminated glass, insulated glass and double-walled polycarbonate.

Regulations

The system is tested and certified in accordance with EN 12101-2.

Flanges

The flange thickness of the Luma is a minimum of 24 mm.

External appearance

Any rectangular shapes are possible as standard with:

- frame height of 600 to 2000 mm
- frame width of 600 to 2500 mm
- maximum panel surface area of 3.5 m²
- glass thickness 6-40 mm
- mounting angle of 10°-90°
- opening angle of a maximum of 90°

The Luma can also be supplied in a triangular shape.

The weight depends on dimensioning and panel.

The maximum weight of the panel is 45 kg/m².

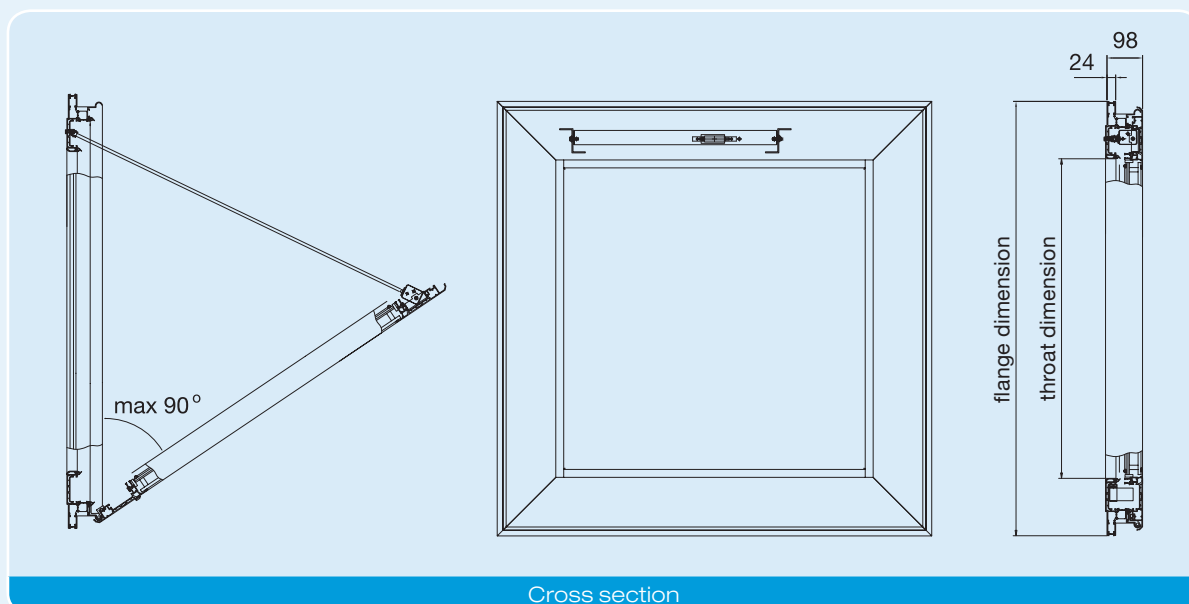
Control system

The entire control system for the Luma is completely concealed inside the structure in its closed state. Gas springs or motors are not therefore visible, which means that the Luma can be used in any situation. It is also possible to very easily clean the window.

M chain motor 24V

MB chain motor 24V with electric fire switch

Extras: **FS** failsafe



Cross section

